

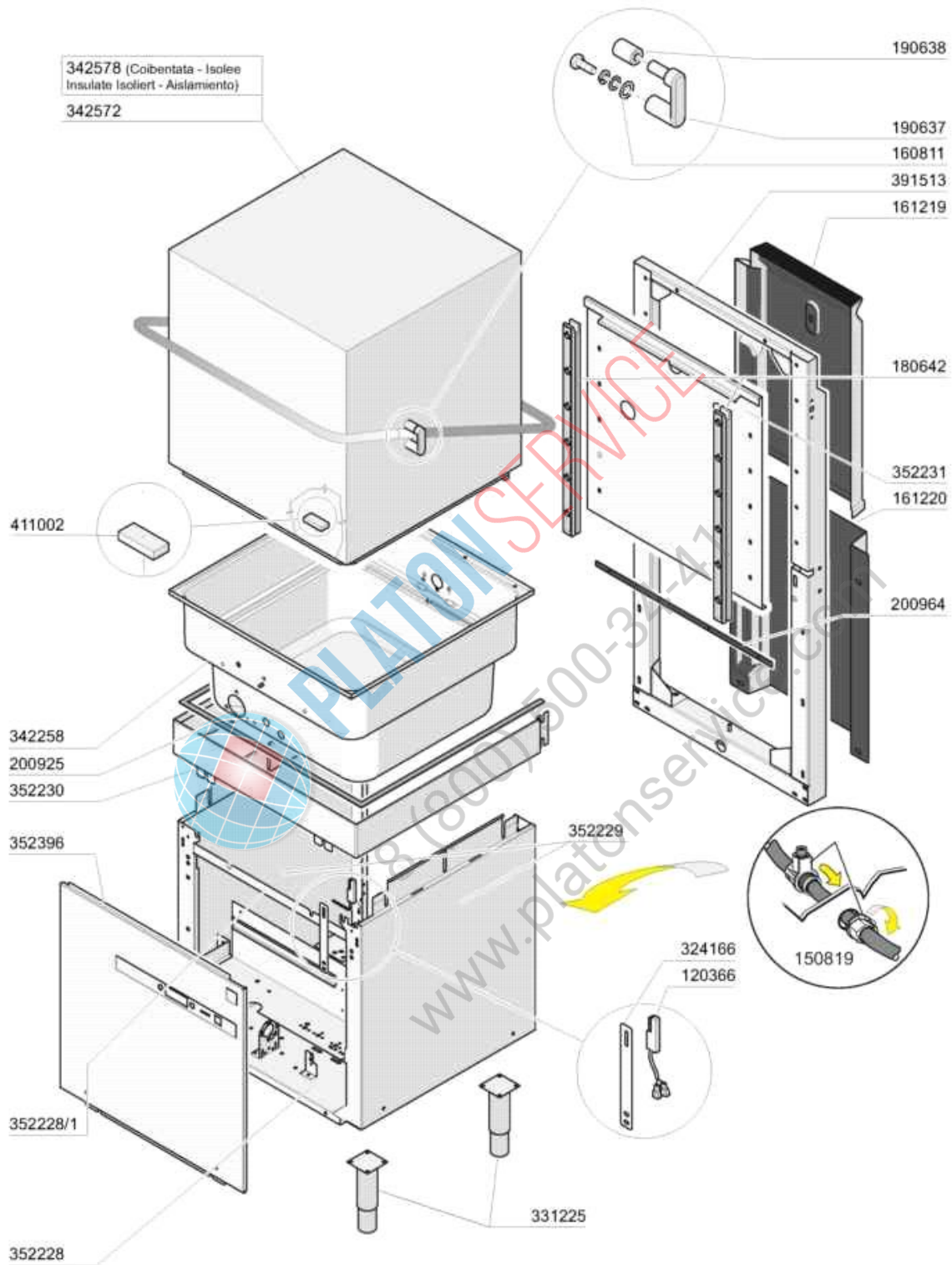
- 1 Hood
- 2 Tank
- 3 Wash and rinse column
- 4 Rinse
- 5 Wash and rinse ARM
- 6 Handle
- 7 Control box
- 8 Pumps
- 9 Drain pump
- 10 Detergent dispenser
- 11 Rinse Aid Injector



PLATON SERVICE

8 (800) 500-34-41

www.platonservice.com

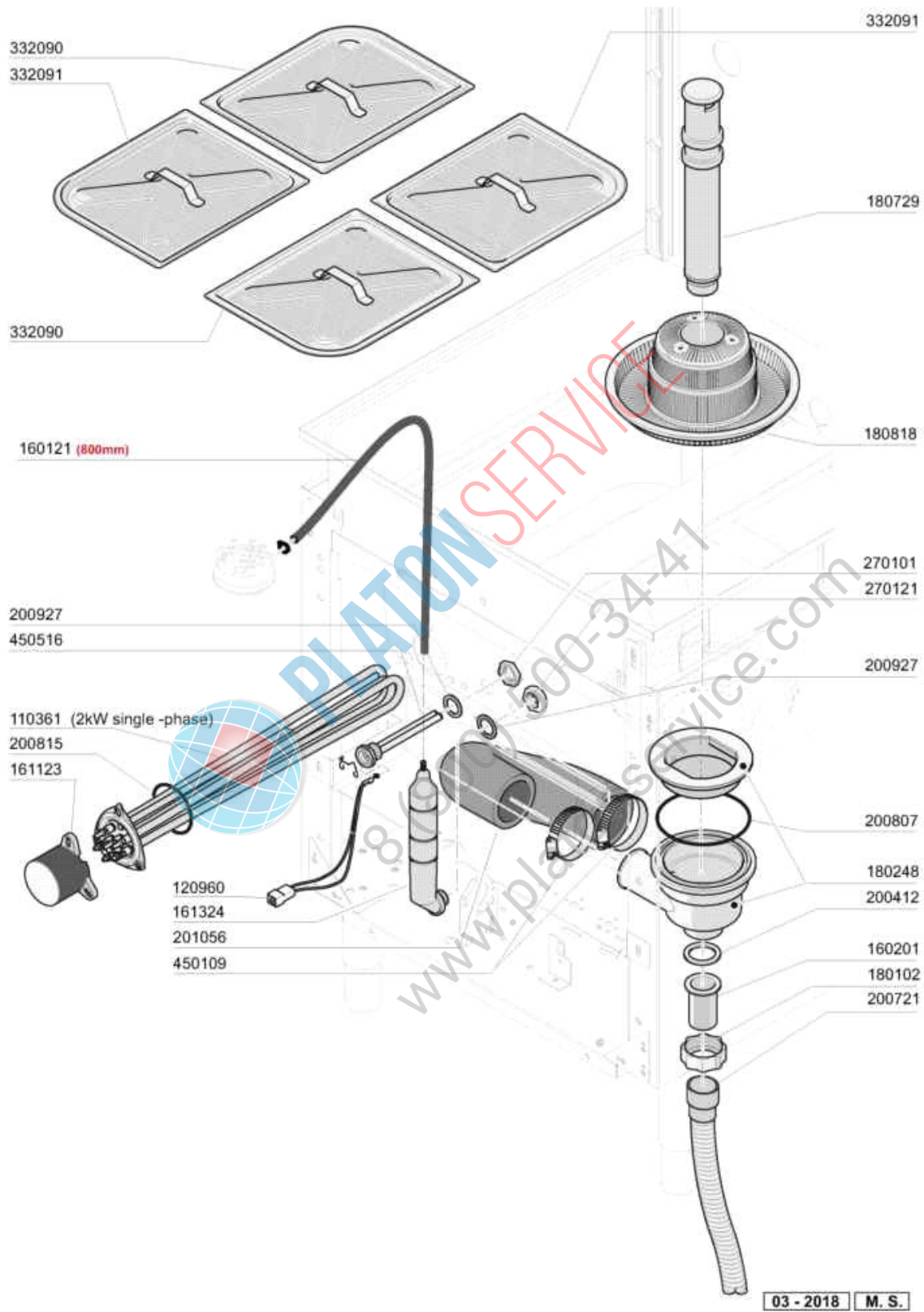


04 - 2017 M. S.

| Code | Description | Price (EUR) |
|--------|-----------------------------|-------------|
| 120366 | MAGN.SENSOR | 21.50 |
| 150819 | CABLE HOLDER PG16 WITH HOLE | 13.00 |
| 160811 | WASHER F2 18X8.5X1 ALGOF | 2.30 |
| 161219 | | 48.50 |
| 161220 | | 48.50 |
| 180642 | GUIDE | 29.00 |
| 190637 | GUIDE FOR DOOR "C" | 14.00 |
| 190638 | ROLLER FOR "C" DOOR GUIDE | 2.30 |
| 200925 | GASKET | 3.70 |
| 200964 | GASKET 618X14 SP.2 | 7.00 |
| 324166 | MICROSWITCH BRACKET | 6.50 |
| 331225 | ADJUSTABLE FEET | 15.50 |
| 342258 | TANK | 573.50 |
| 342572 | HOOD | 653.50 |
| 342578 | INSULATED HOOD | 1,153.00 |
| 352228 | | 105.00 |
| 352229 | | 130.50 |
| 352230 | | 150.00 |
| 352231 | | 103.50 |
| 391513 | | 283.50 |
| 411002 | PERMANENT MAGNET 24X12 | 3.10 |



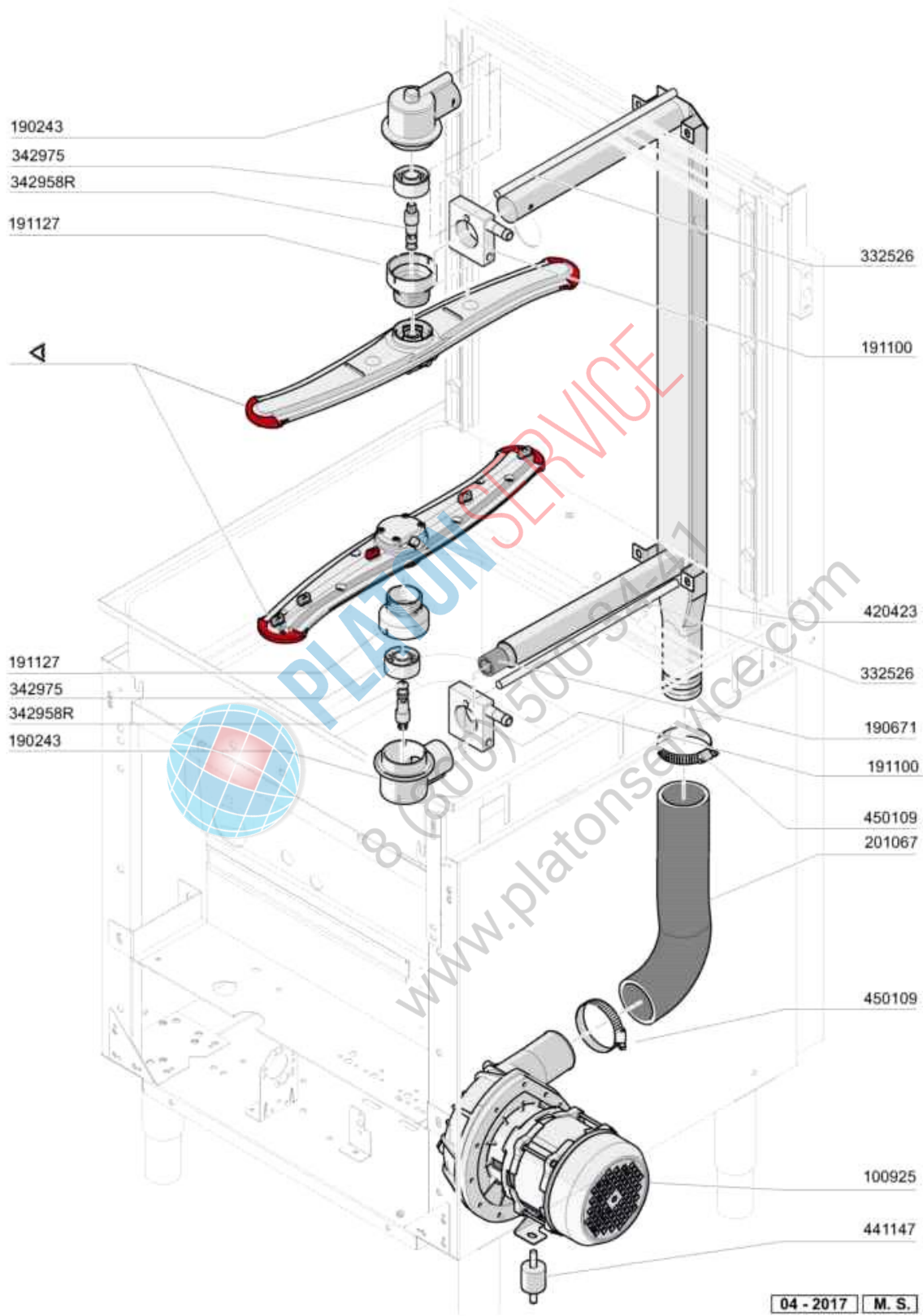
PLATON SERVICE
 8 (800) 500-34-41
 www.platonservice.com



| Code | Description | Price (EUR) |
|--------|--------------------------------|-------------|
| 110361 | HEAT. ELEMENT 2200W 230V | 93.00 |
| 120960 | PROBE C-G | 30.00 |
| 160121 | HOSE EPDM D. 5 X 9 | 3.95 |
| 160201 | ELBOW F.TANK INLET MOPLN | 2.80 |
| 161123 | HEAT.ELEMENT COVER H42 SNL | 3.65 |
| 161324 | AIR CHAMBER | 15.00 |
| 180102 | DRAIN PIPE NUT 1"1/2 F45-55 | 4.05 |
| 180248 | SUCTION TANK | 17.00 |
| 180729 | OVERFLOW PIPE | 22.50 |
| 180818 | STRAINER FOR FC | 18.00 |
| 200412 | GASKET DRAIN 1 1/2" 45X33X3 | 1.15 |
| 200721 | DRAIN HOSE 28X35 3MT. | 28.50 |
| 200807 | O-RING 3,53 X 110,72 | 7.50 |
| 200815 | O-RING F. HEAT. ELEM. | 2.00 |
| 200927 | GASKET FOR AIR TRAP | 1.40 |
| 201056 | WASH PUMP INLET HOSE | 44.50 |
| 270101 | HEXAGON LOCK NUT 1/2" | 8.50 |
| 270121 | NUT FOR AIR TRAP | 8.00 |
| 332090 | RIGHT STRAINER | 29.50 |
| 332091 | LEFT STRAINER | 29.50 |
| 450109 | CLAMP 50-65 | 6.50 |
| 450516 | THERMOSTAT SHIELD FOR 2 TERMOS | 25.50 |



PLATON SERVICE
 8 (800) 500-34-47
 www.platonservice.com



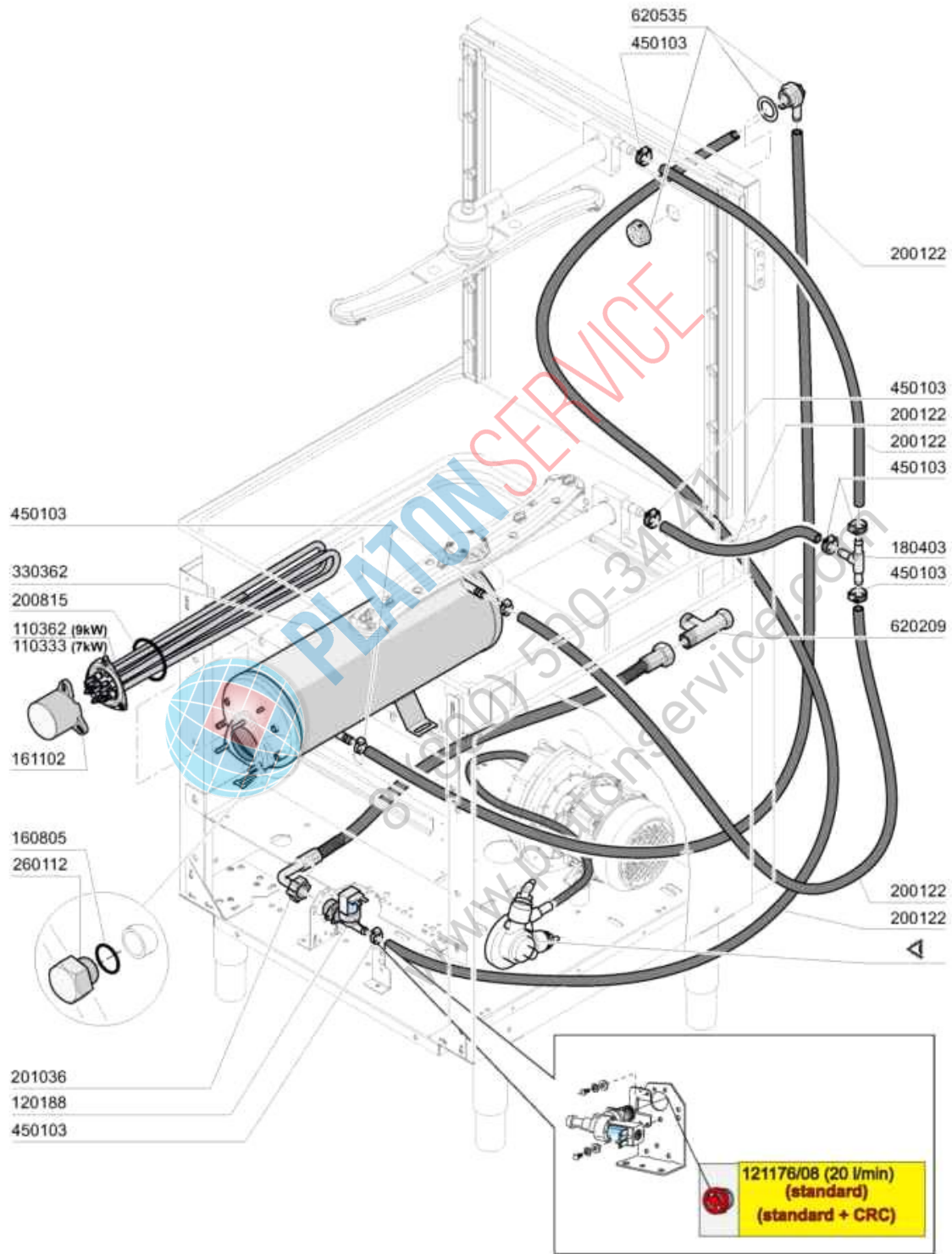
| Code | Description | Price (EUR) |
|---------|--------------------------------|-------------|
| 100925 | WASH PUMP HP1 230V/50Hz- kW0,7 | 238.00 |
| 190671 | BUSH | 26.00 |
| 191100 | RINSE COLLECTOR C-LC | 6.50 |
| 191127 | | 5.50 |
| 201067 | OUTLET HOSE | 41.50 |
| 332526 | RINSE HOSE | 7.50 |
| 342958R | WRIS2+ WASH ARM PIN | 76.50 |
| 420423 | WASH RAMP C/LC | 164.00 |
| 441147 | | 8.00 |
| 450109 | CLAMP 50-65 | 6.50 |



PLATON SERVICE

8 (800) 500-34-41

www.platonservice.com



05 - 2018 | M. S.

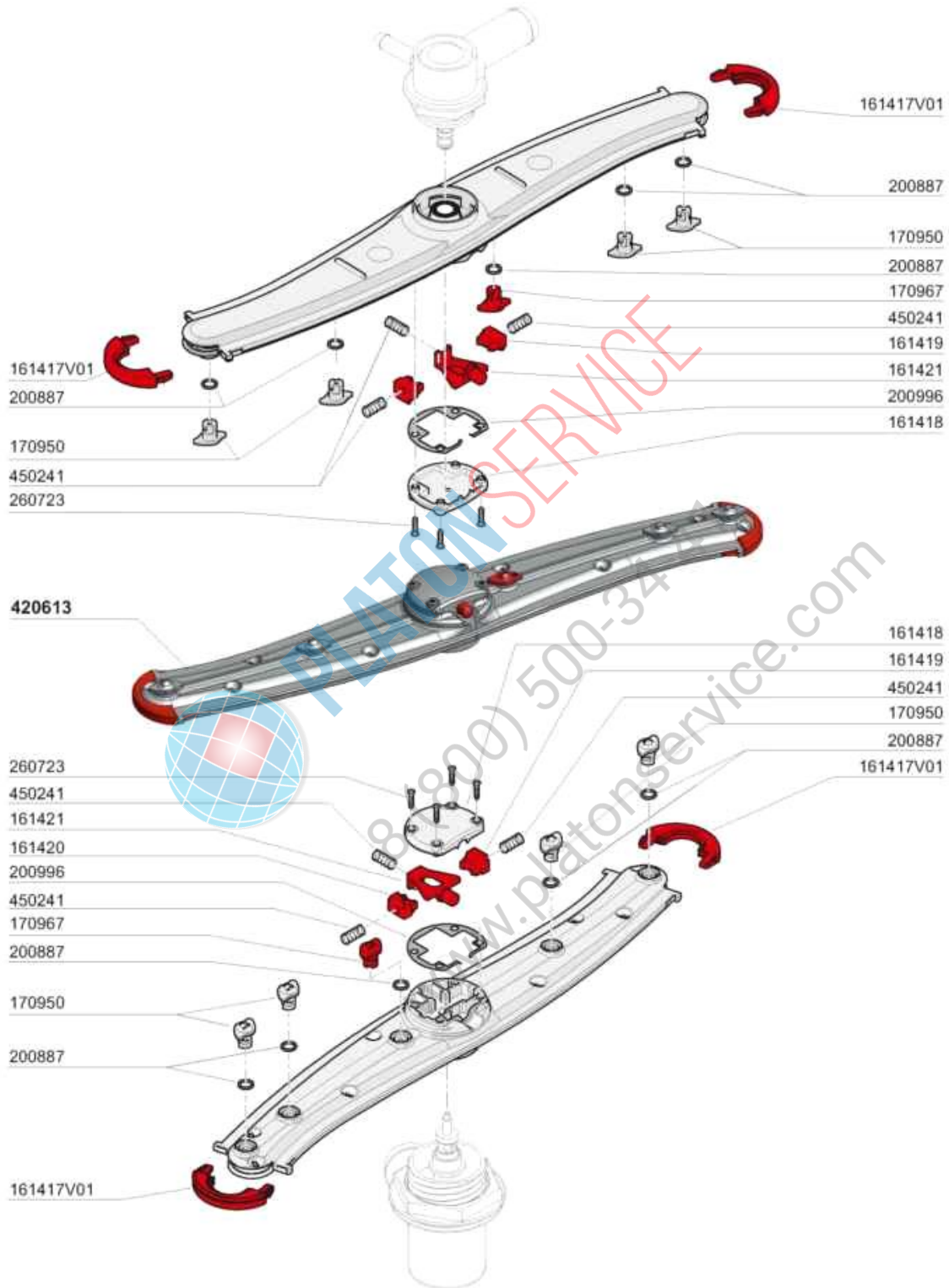
| Code | Description | Price (EUR) |
|-----------|--------------------------------|-------------|
| 110333 | HEATER 7KW 230/400V | 68.00 |
| 110362 | HEAT.ELEMENT 9000W 220/380V | 133.50 |
| 120188 | SOLENOID VALVE 90° 1 WAY 220V | 16.50 |
| 121176/08 | REG.PORT.T&P 20 L/M.ROSSO PUNK | 0.00 |
| 160805 | GASKET D.8 | 1.85 |
| 161102 | ELEMENT COVER MOPL. H50 (HIGH) | 5.00 |
| 180403 | TEE-NIPPLE F2-F300-B10-11 | 4.50 |
| 200122 | HOSE 11X19 | 13.00 |
| 200815 | O-RING F. HEAT. ELEM. | 2.00 |
| 201036 | INLET HOSE 2 MT | 38.00 |
| 260112 | STAINLESS STEEL TE-SCREW 8X16 | 0.55 |
| 330362 | BOOSTER FOR BREAK TANK | 135.00 |
| 450103 | CLAMP FE ZN. 13-20 H=9 | 3.10 |
| 620209 | INLET WATER FILTER | 22.00 |
| 620535 | VACUUM BREAKER | 20.00 |



PLATON SERVICE

8 (800) 500-34-41

www.platonservice.com



03 - 2017 M. S.

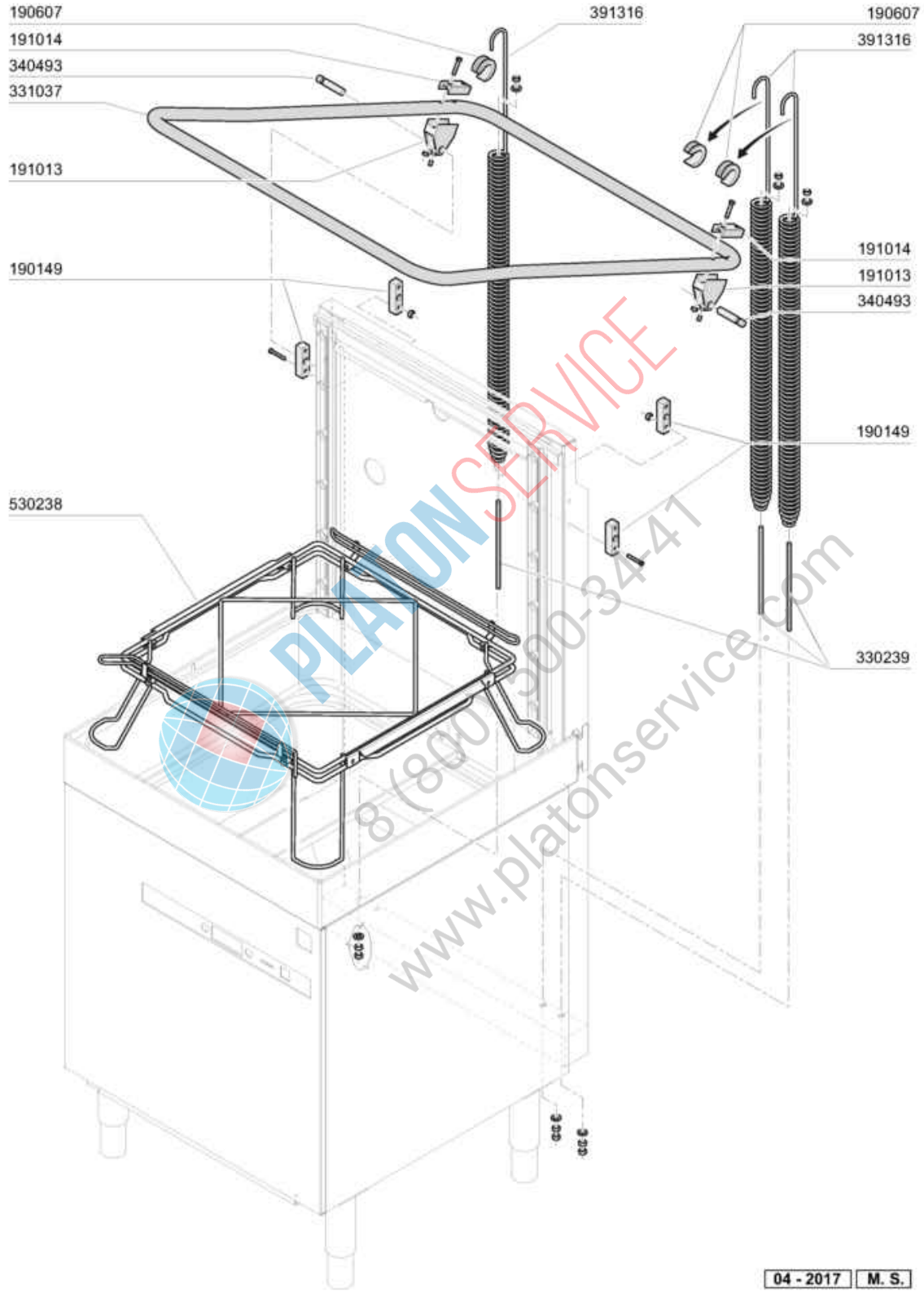
| Code | Description | Price (EUR) |
|-----------|--------------------------------|-------------|
| 161417V01 | WASH ARM PLUG WRIS-PP | 10.00 |
| 161418 | COPERCHIO MULIN. ELICOID. F.0 | 6.50 |
| 161419 | PINZA DX MULIN.ELICOID. F.0 | 1.75 |
| 161420 | PINZA SX MULIN.ELICOID. F.0 | 1.75 |
| 161421 | STRINGIPINZA MULIN.ELIC. F.0 | 1.95 |
| 170950 | RINSE JET WRIS2+ (70?) | 3.25 |
| 170967 | RED RINSE JET WRIS2+ (120?) | 2.60 |
| 200887 | OR GASKET 9,6x2,4 - XP70 | 0.45 |
| 420613 | WRIS2+ 500mm POLYPROP.WASH ARM | 92.50 |



PLATON SERVICE

8 (800) 500-34-47

www.platonservice.com



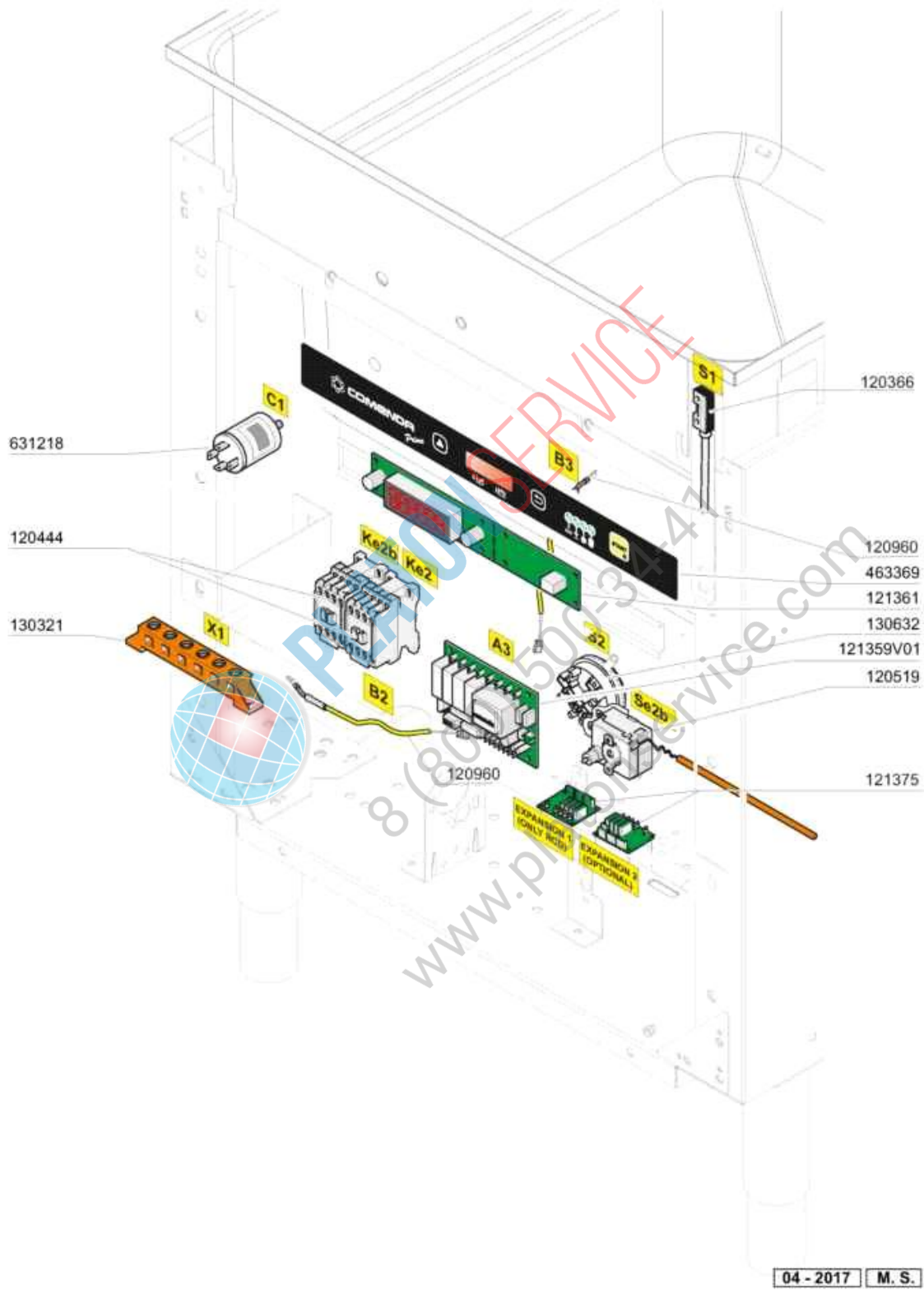
| Code | Description | Price (EUR) |
|--------|--------------------------------|-------------|
| 190149 | REINFORCEMENT FOR HANDLE SUPP. | 1.65 |
| 190607 | HANDLE BUSH C30-70 | 3.05 |
| 191013 | HINGE F. SUPPORT C30-C70 | 4.40 |
| 191014 | FLANGE F. HANDLE C30-70 | 2.55 |
| 330239 | ROD | 7.50 |
| 331037 | HANDLE C95-155-165 ISOLATED | 103.00 |
| 340493 | PIN F. HINGE C30 | 7.50 |
| 391316 | SPRING FOR HANDLE C85/140-G75 | 60.00 |
| 530238 | RACK SUPPORT C-SERIES | 270.50 |



PLATON SERVICE

8 (800) 500-34-41

www.platonservice.com



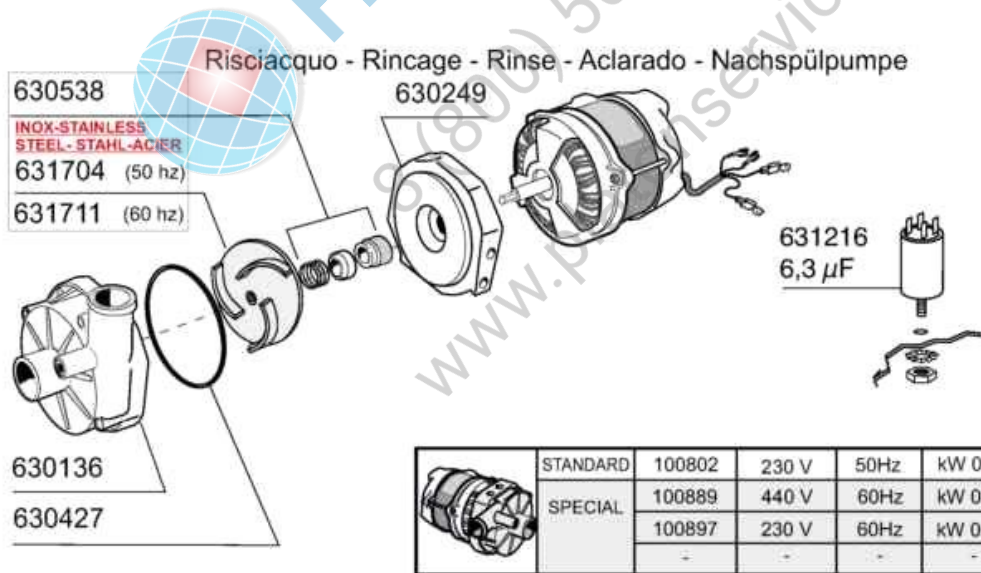
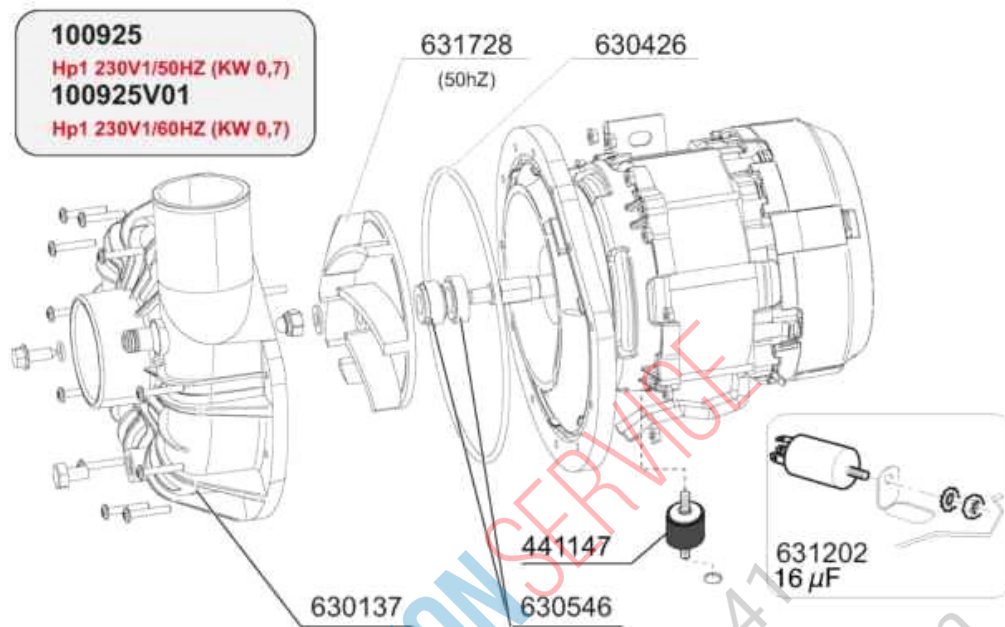
| Code | Description | Price (EUR) |
|-----------|--------------------------------|-------------|
| 120366 | MAGN.SENSOR | 21.50 |
| 120444 | CONTACTOR 9A 220V 50HZ | 41.00 |
| 120519 | SAFETY THERMOSTAT 95-125? | 61.50 |
| 120960 | PROBE C-G | 30.00 |
| 121359V01 | ELECTRONIC BOARD HAC PLUS (P7) | 188.50 |
| 121361 | DISPLAY PCB 7S | 96.50 |
| 121375 | EXPANSION CARD UC14 | 69.50 |
| 130321 | JUNCTION BOX 6 CONNECTORS | 6.50 |
| 130632 | PRESSURE SWITCH 1L | 27.50 |
| 631218 | ANTI-NOISE FILTER 16A L-C | 9.50 |



PLATON SERVICE

8 (800) 500-34-47

www.platonservice.com

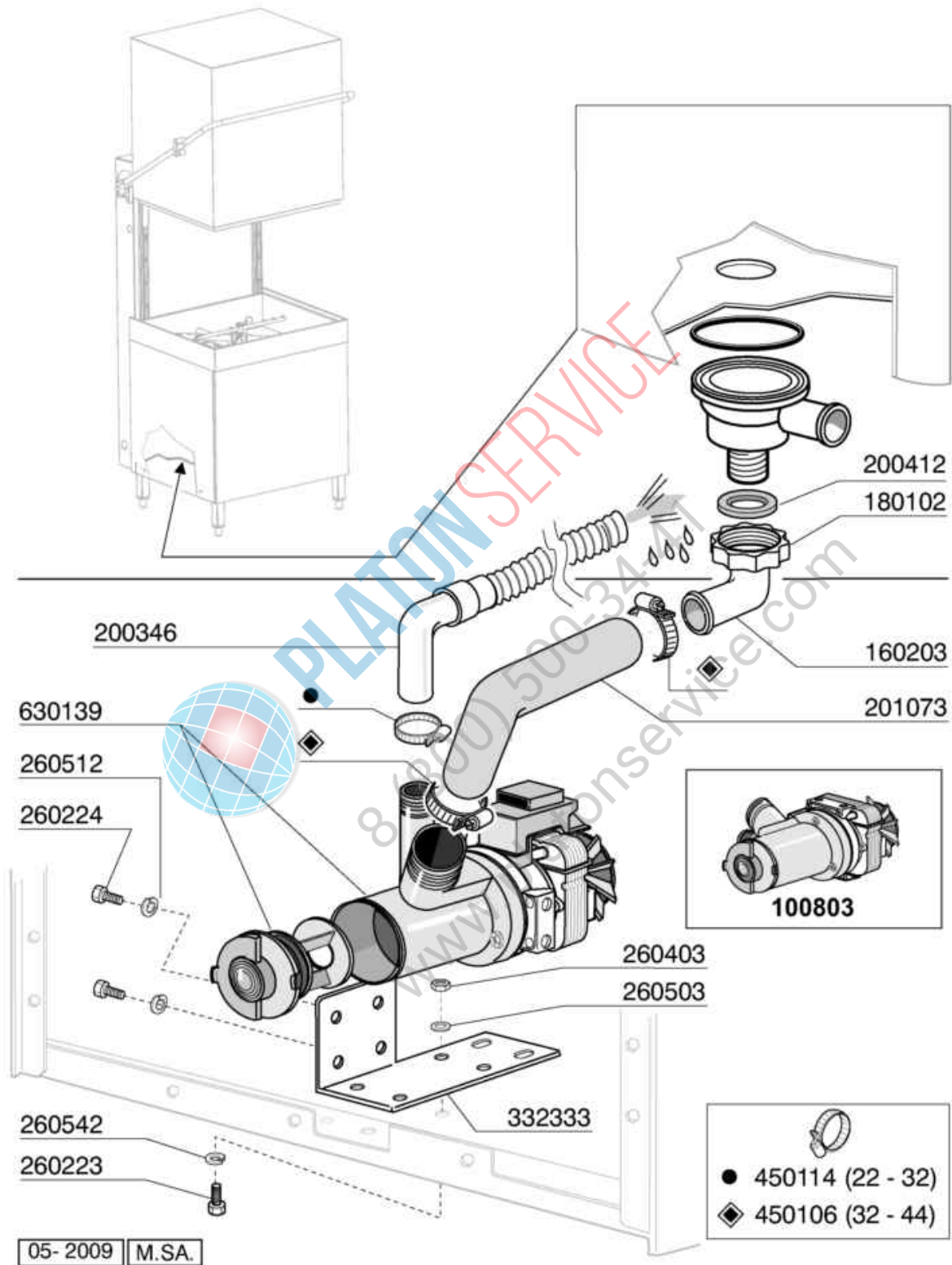


04 - 2017 | M.SA.

| Code | Description | Price (EUR) |
|-----------|--------------------------------|-------------|
| 100802 | PUMP HP 0,3 230V-50HZ | 166.00 |
| 100889 | PUMP HP 0,3 440V-60HZ | 192.00 |
| 100897 | PUMP HP 0,3 230V-60HZ | 176.50 |
| 100925 | WASH PUMP HP1 230V/50Hz- kW0,7 | 238.00 |
| 100925V01 | PUMP HP1 230V/1/60Hz kW 0,7 | 0.00 |
| 441147 | | 8.00 |
| 630136 | PUMP VOLUTE LGB ZF131DX | 15.00 |
| 630137 | PUMP VOLUTE LGB ZF800DX | 29.00 |
| 630249 | PUMP FLANGE ZF131 DX | 18.50 |
| 630426 | GASKET LGB ZF800 | 4.00 |
| 630427 | O-RING FOR PUMP ZF131DX | 1.45 |
| 630538 | SEAL LGBZF131DX | 33.00 |
| 630546 | SEAL FOR PUMP | 16.00 |
| 631202 | CONDENSER 16 MF 450V | 12.00 |
| 631216 | CAPACITOR 6.3 MF 450V | 9.50 |
| 631704 | PUMP IMPELLER ZF131DX | 43.50 |
| 631711 | IMPELLER LGB ZF131DX 60HZ D.66 | 0.00 |



PLATON SERVICE
 8 (800) 500-34-41
www.platonservice.com



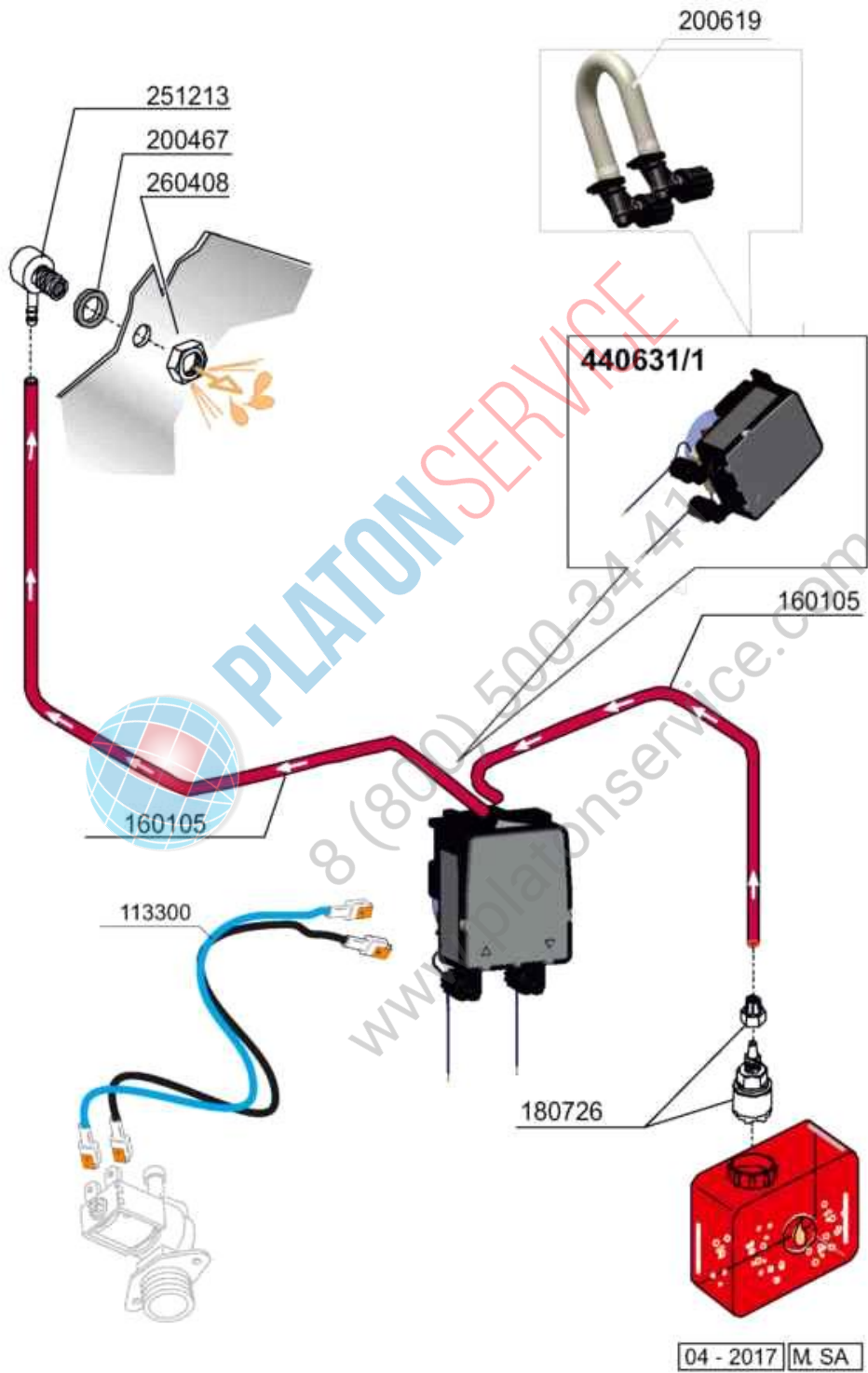
| Code | Description | Price (EUR) |
|--------|--------------------------------|-------------|
| 100803 | DRAIN PUMP WITH FILTER 220/50 | 88.50 |
| 160203 | ELBOW 1"1/2 N-S-F-C /DRAIN | 4.50 |
| 180102 | DRAIN PIPE NUT 1"1/2 F45-55 | 4.05 |
| 200346 | DRAIN HOSE GLASSWASHER | 21.50 |
| 200412 | GASKET DRAIN 1 1/2" 45X33X3 | 1.15 |
| 201073 | INLET HOSE LC/CE DRAIN PUMP | 22.50 |
| 260223 | M5X12 MSH/HD SCREW SPECIAL S/S | 1.60 |
| 260224 | TB-SCREW 6X15 B23-10-11-12 | 1.60 |
| 260403 | NUTS D.5 | 1.40 |
| 260503 | STAINL.STEEL FLAT WASHER D5 UN | 1.40 |
| 260512 | ST/ST GROWER WASHER D6 | 1.40 |
| 260542 | WASHER D.5 | 0.35 |
| 332333 | BRACKET FOR DRAIN PUMP | 16.50 |
| 450106 | CLAMP FE ZN 32-44 H=12,2 | 6.00 |
| 450114 | CLAMP FE ZN.22-32 H=12,2 | 5.50 |
| 630139 | DRAIN PUMP VOLUTE WITH FILTER | 30.50 |



PLATON SERVICE

8 (800) 500-34-41

www.platonservice.com



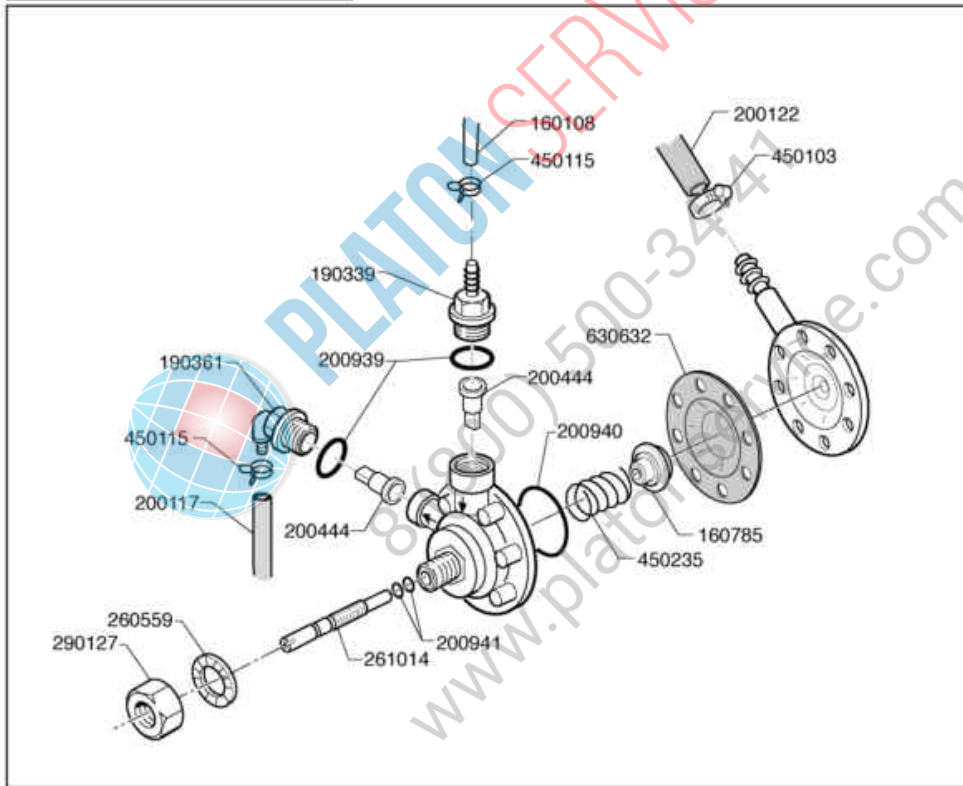
| Code | Description | Price (EUR) |
|--------|--------------------------------|-------------|
| 113300 | CABLE FOR DETERGENT INJECTOR | 0.00 |
| 160105 | INJECT. INLET HOSE D.6X4 | 2.65 |
| 180726 | STREINER FOR RINSE AID INJECTO | 24.00 |
| 200467 | DUTRAL GASKET F. AIR TRAP | 0.65 |
| 251213 | INJECTOR S/S FOR DETERGENT IN | 16.50 |



PLATON SERVICE

8 (800) 500-34-41

www.platonservice.com



| | |
|------|---------|
| Ed. | 06/2014 |
| Rev. | |
| Data | |

| Code | Description | Price (EUR) |
|--------|--------------------------------|-------------|
| 160108 | INJECT.INLET HOSE D.8X5 | 2.40 |
| 160785 | GUIDE FOR SPRING RINSE AID INJ | 0.00 |
| 190339 | RINSE AID INJECTOR CONNECTION | 4.55 |
| 190361 | ELBOW 90° | 3.53 |
| 200117 | RUBBER HOSE 7X16 | 17.00 |
| 200122 | HOSE 11X19 | 13.00 |
| 200444 | SUCTION VALVE RINSE INJECTOR | 2.25 |
| 200939 | OR GASKET | 0.00 |
| 200940 | GASKET | 2.05 |
| 200941 | OR GASKET | 2.00 |
| 260559 | | 0.30 |
| 261014 | SCREW | 0.00 |
| 290127 | | 0.00 |
| 450103 | CLAMP FE ZN. 13-20 H=9 | 3.10 |
| 450115 | ELASTIC CLAMP D.8,3/7,8 | 0.25 |
| 450235 | SPRING RINSE AID INJECTOR | 0.00 |
| 620736 | RINSE AID INJECTOR C35/43/46E | 46.00 |
| 630632 | DIAPHRAGM RINSE INJECTOR HVD | 7.00 |



PLATONSERVICE
 8 (800) 500-34-41
www.platonservice.com